



# DURA TRANS<sup>®</sup> XDW



## 14.5" Performance When It Matters

The wide conveyor that helps operators run smarter, with confidence, so they can keep doing what's important...reliable vehicle processing

Patented XDW guide rail delivers wheel safe performance, and the unique sloping design minimizes surface tension, which inhibits vehicles from jumping out of the track.

Dual air cylinders automatically maintain constant chain tension, eliminating the spring and need for manual tightening.

The XDW uses the highest quality automotive GFL (greased-for-life) bearings, which require zero maintenance.



Patented Quick-Pin Release design allows for fast removal of side-rails, take-up and roller-up cartridges, and chain tension cylinders, all without the need of any tools.

CleanTrac™ design keeps rollers free of dirt and debris as they move along the lower two shelves, extending roller life. Patented.

Quick-Pin Release take-up and roller-up cartridges enable operators to perform Pit-Free repairs at the comfort of a workbench rather than in the conveyor pit.

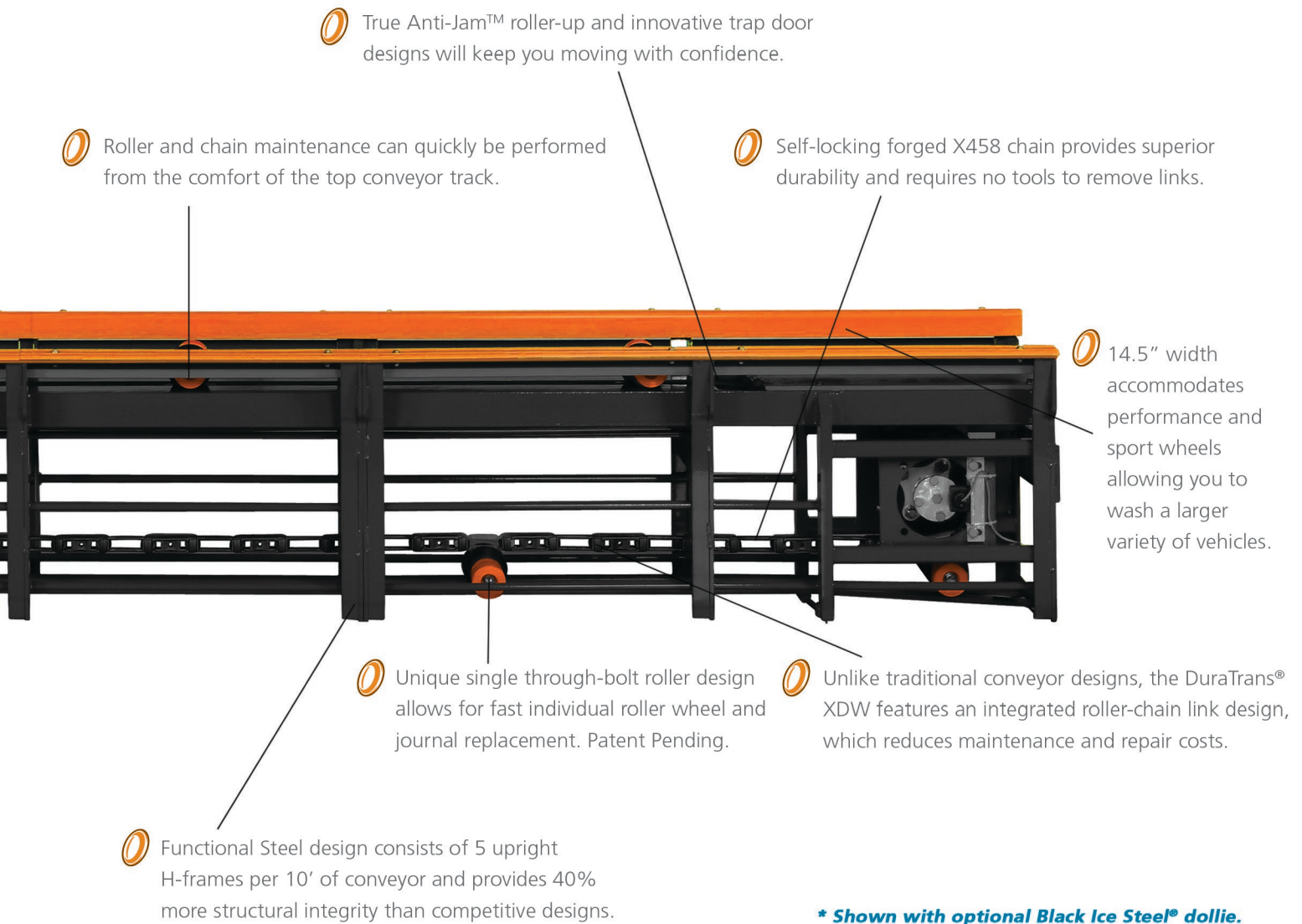
Space Frame technology provides open access to all conveyor areas and makes routine maintenance easy to perform.



The conveyor is the lifeline of any tunnel car wash. If your conveyor goes down, your business revenue comes to a screeching halt along with it. Therefore, when it comes to conveyor selection, you want to choose the system that provides the highest level of reliability and the quickest serviceability to keep you successfully processing vehicles.

The DuraTrans® XDW is the most advanced conveyor available in the industry today. Every aspect of the DuraTrans® XDW was carefully thought through to deliver the most complete performance features available with the highest simplicity and most operator friendly functionality possible.

This conveyor was developed to relieve tunnel operators from the grueling ritual of in-pit maintenance. Through the utilization of Space Frame technology, conveyor operators can access all serviceable areas with minimal effort. Add patented Quick-Pin Release design to this equation and operators can quickly remove conveyor components and perform routine repairs at the comfort of a workbench rather than in the conveyor pit.



True Anti-Jam™ roller-up and innovative trap door designs will keep you moving with confidence.

Roller and chain maintenance can quickly be performed from the comfort of the top conveyor track.

Self-locking forged X458 chain provides superior durability and requires no tools to remove links.

14.5" width accommodates performance and sport wheels allowing you to wash a larger variety of vehicles.

Unique single through-bolt roller design allows for fast individual roller wheel and journal replacement. Patent Pending.

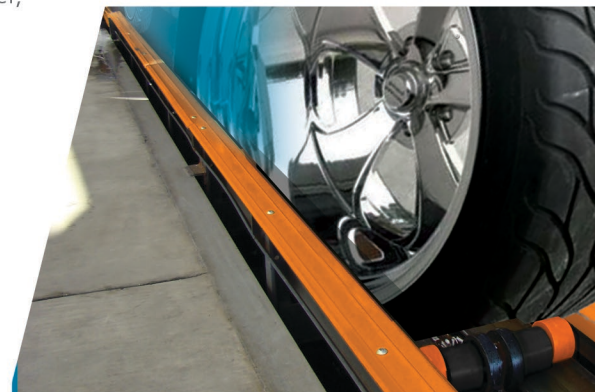
Unlike traditional conveyor designs, the DuraTrans® XDW features an integrated roller-chain link design, which reduces maintenance and repair costs.

Functional Steel design consists of 5 upright H-frames per 10' of conveyor and provides 40% more structural integrity than competitive designs.

**\* Shown with optional Black Ice Steel® dollie.**

The DuraTrans® XDW is truly revolutionary in design and delivers the most complete performance features available, with the highest simplicity, and most operator friendly functionality possible. Don't waste another dollar of profit on lost operating time. Reduce your downtime and eliminate time-consuming maintenance. Call Belanger today and discover how the DuraTrans® XDW is helping conveyor operators run smarter, and with more confidence, so they can get back to what's important... reliable vehicle processing.

- **Wash more cars-14.5" width accommodates today's wider performance and sport wheels**
- **Reduce operating expenses with cost effective maintenance features**
- **User Friendly Serviceability with easy access to wear parts**





*Inspired By You. Built By Belanger.*

## **TRUSTED SINCE 1969**

Whether you're a seasoned car wash operator or a first-time investor, one thing is true: the equipment you select for your wash will have a major impact on your businesses' success.

Your equipment needs to clean cars the way your customers want to wash their cars.

The equipment you choose should work to support your marketplace's washing preferences, meeting the needs of your customers, and your business, at your location.

As a full-line equipment manufacturer, Belanger makes more types of vehicle washes than anyone else – including conveyORIZED tunnels, touchless and soft-touch automatics, drive-thru and large vehicle washes.

Which means we'll work with you on the best format for your location's success – not push a 'one size fits all' approach.



Belanger 1001 Doheny Court, Northville, MI 48167 USA  
Tel: 866-4-Tunnel, or +1-248-349-7010  
[www.belangerinc.com](http://www.belangerinc.com)