



# AUTOTOWEL

By Belanger®

Dry Vehicles. Satisfied Customers. Increased Revenue.



## 20HP VACUUM MANIFOLD (PATENT PENDING)

Consistently removes moisture from DryMitts media after each vehicle, ensuring exceptional vehicle drying results for every car from the first to the last. The integrated rollers transition & align the DryMitts to ensure the water is extracted and carried away from the drying process.

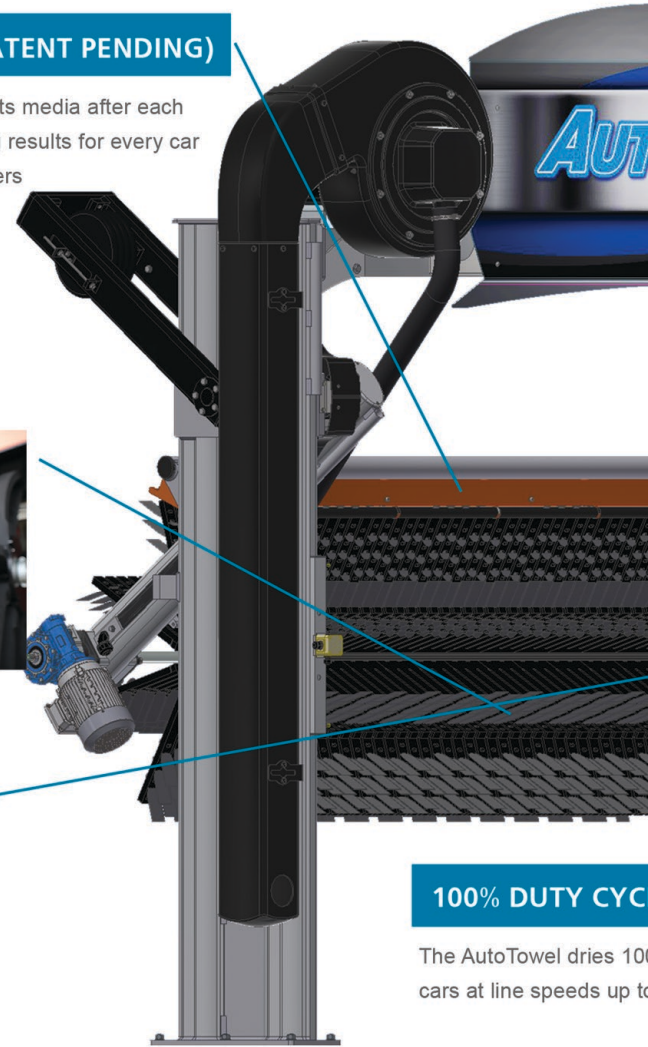
## DryMitt™ MEDIA

Inspired by our slow-spinning ShineMitt media, the DryMitt design incorporates efficient drying microfiber material to create hundreds of mini shammy hands which quickly remove any residual water left behind from top surfaces of the vehicle.



## 81" PIVOT POINT

Is the lowest in the industry, to reach the backs of vehicles better – essentially chasing the rears of vehicles down – for better drying results.



## 100% DUTY CYCLE

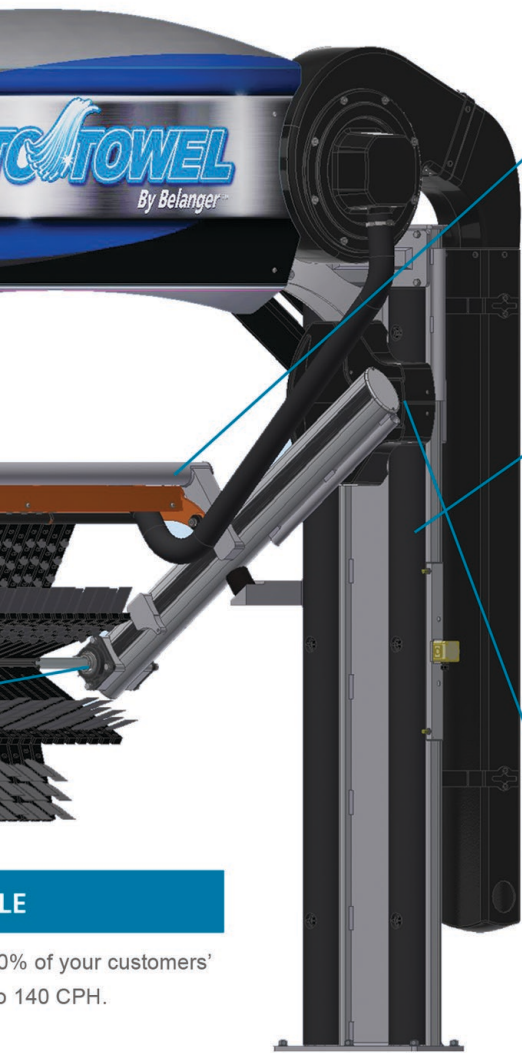
The AutoTowel dries 100% of cars at line speeds up to 140 CPH.

# AUTOTOWEL

By Belanger®

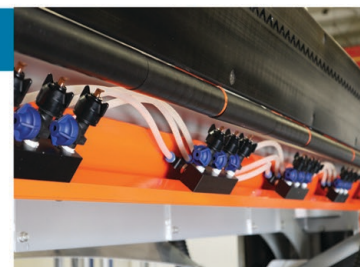
## Completing the Vehicle Wash Experience.

Operators have long fought the constant challenge of wet cars exiting the tunnel for years, while also searching for that missing revenue-generating addition for top-level wash packages. Now, both problems are solved. From the leader in vehicle wash systems comes the AutoTowel by Belanger®. The next-generation friction drying technology keeps the microfiber DryMitt media from becoming oversaturated throughout the day. With the patent-pending vacuum system to extract and move the water away from the innovative slow-spin DryMitt drying media and the Smart Self-Cleaning Technology, the AutoTowel dries 100% of your customers' cars at line speeds up to 140 CPH. This means the last car of the day is as dry as the first!



### SELF-CLEANING CYCLES

The AutoTowel's onboard self-cleaning cycles are operator configurable. You determine how many cleaning cycles to run throughout the day. The AutoTowel will know when the conveyor is not in operation and will activate the cleaning cycles at the right time between cars. The automated self-cleaning cycle applies the cleaning solvent, rinses, and then preps the material for drying with a fine mist of wax.



### SAFETY & CONTROL

The counterweight and built-in dampener design help the wheel maintain proper pressure and smooth movement during the drying process, and also protects the equipment in case of an early vehicle drive-off.



### PATENTED 'GATOR GEAR' DESIGN

Empowers the AutoTowel to have an ultra-compact design that requires less tunnel space to achieve superior drying results.



LE  
0% of your customers'  
o 140 CPH.

## With AutoTowel Operators Can:

- Improve top level packages for additional revenue
- Increase customer loyalty with drier, shinier cars
- Increase throughput and eliminate manual drying
- Eliminate additional dryers and save tunnel space
- Reduce energy consumption and save on utility costs
- Thank your customers for their patronage and build your brand with custom branding options



## TRUSTED SINCE 1969

Whether you're a seasoned car wash operator or a first-time investor, one thing is true: the equipment you select for your wash will have a major impact on your businesses' success.

Your equipment needs to clean cars the way your customers want to wash their cars.

The equipment you choose should work to support your marketplace's washing preferences, meeting the needs of your customers, and your business, at your location.

As a full-line equipment manufacturer, Belanger makes more types of vehicle washes than anyone else – including conveyORIZED tunnels, touchless and soft-touch automatics, drive-thru fleet, and cargo van systems.

Which means we'll work with you on the best format for your location's success – not push a 'one size fits all' approach.

PART OF



a  company

Belanger 1001 Doheny Court, Northville, MI 48167 USA  
Tel: 866-4-Tunnel, or +1-248-349-7010  
[www.belangerinc.com](http://www.belangerinc.com)